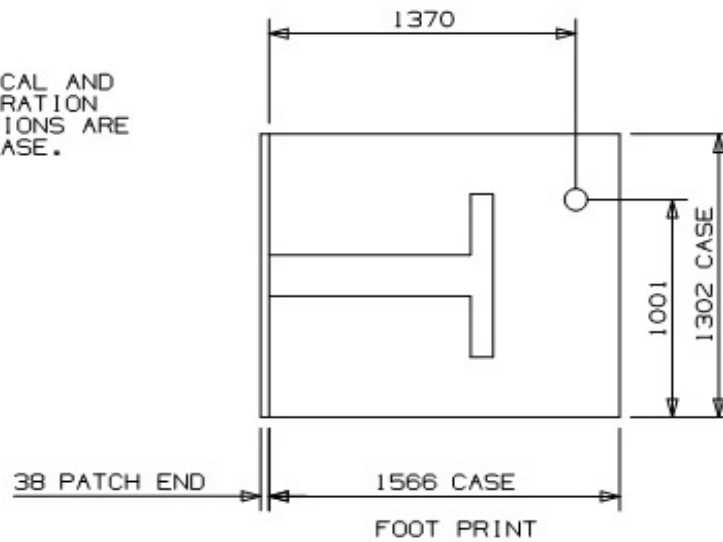


ELECTRICAL AND REFRIGERATION CONNECTIONS ARE ABOVE CASE.



LEGEND			
	REFRIGERATION UPSTAND		
	ELECTRICAL UPSTAND		
	DRAIN UPSTAND		

Revision: 001	Scale: NTS	Date: 26/06/14	Drawn: NCS
Title GDU - 2400 HIGH DRINKS CASE			